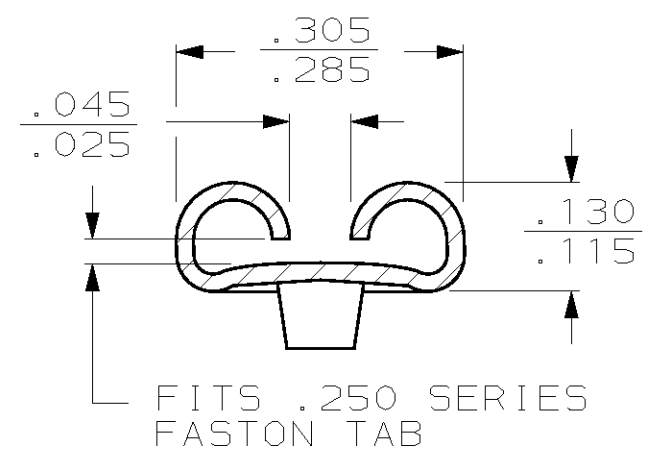
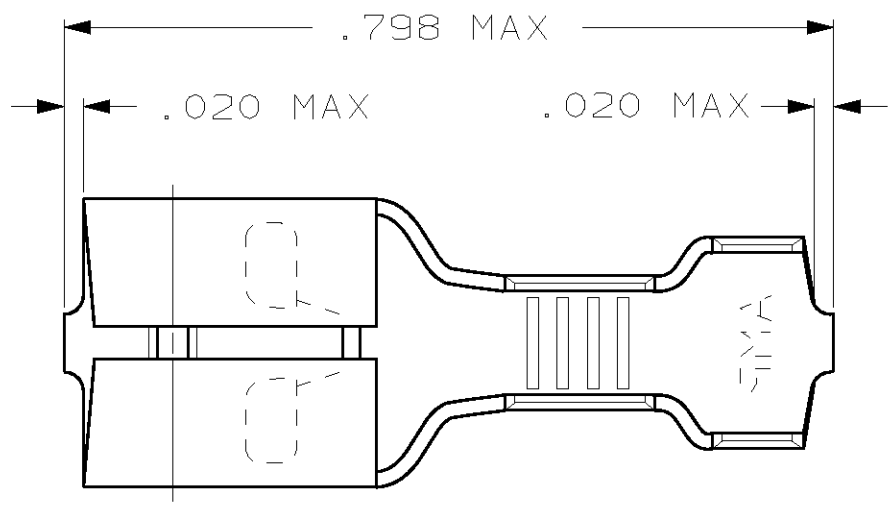


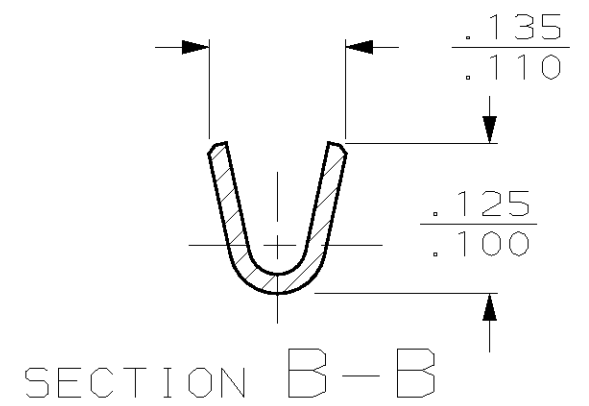
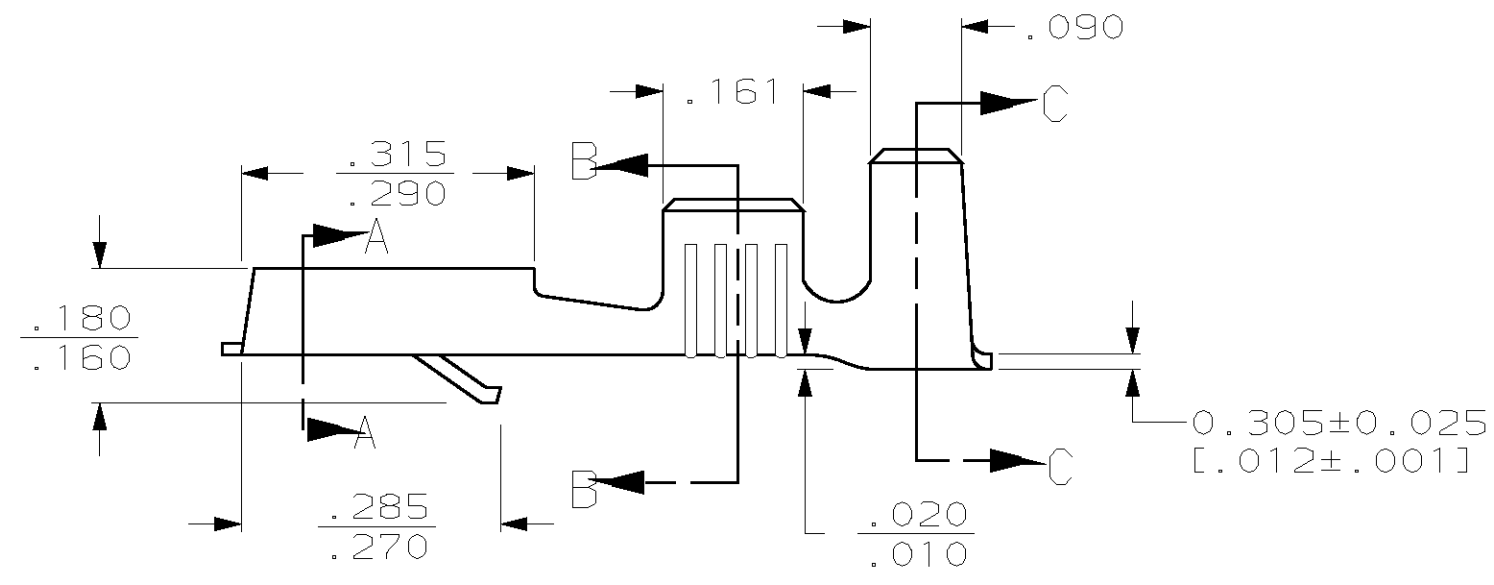
THIS DRAWING IS UNPUBLISHED. RELEASED FOR PUBLICATION ,19 .
 © COPYRIGHT 19 BY AMP INCORPORATED. ALL RIGHTS RESERVED.

LOC	DIST	REVISIONS			
P	LTR	DESCRIPTION	DATE	DWN	APVD
AF	50	B	REDRAWN PER 0L10-0025-98	1/29/98	JR JH

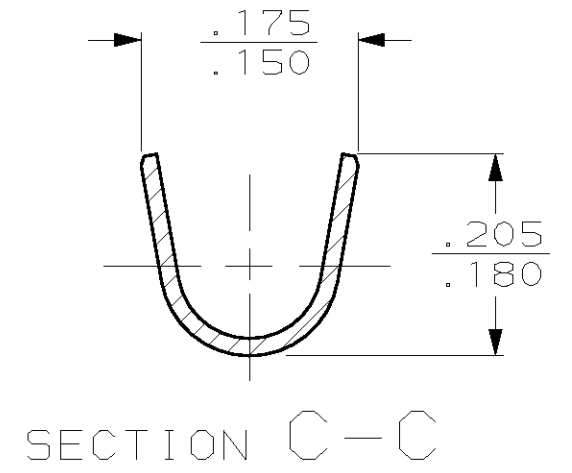


SECTION A-A

- 1 - SUPPLIED IN LOOSE PIECE
- △ 2 - FOREIGN PRODUCTION ONLY
- 3 - WIRE SIZE IS #22-#18 AWG.
- 4 - MATING TAB THK IS .032±.001.
- 5 - INSULATION RANGE IS .085-.125 DIA.



SECTION B-B



SECTION C-C

60838-1 (60295-2 L.P.)	△ 60838-1
COMBINATION NUMBER	PART NO.

THIS DRAWING IS A CONTROLLED DOCUMENT.		DWN	JR RUTH	1/29/98	AMP Incorporated Harrisburg, PA 17105-3608
DIMENSIONS: INCHES		CHK	MS FEHER	1/29/98	
TOLERANCES UNLESS OTHERWISE SPECIFIED:		APVD	J HUZVAR	1/29/98	
0 PLC ±- 1 PLC ±- 2 PLC ±- 3 PLC ±.015 4 PLC ±- ANGLES ±-		PRODUCT SPEC		NAME	
MATERIAL	BRASS	FINISH	TIN	APPLICATION SPEC	RECEPTACLE, FASTIN-FASTON, .250 SERIES
CUSTOMER DRAWING		WEIGHT	-	SIZE	A3
		CAGE CODE		DRAWING NO	C- 60838
		SCALE		SHEET	1 OF 1
		REV		REV	B