



Have a Question?
Chat with a Product Information Specialist

What can we help you find?

[Products](#) [Industries](#) [Resources](#) [About TE](#) [My Account](#) [Innovation](#) [Support Center](#)

172169-1 Product Details

[Share](#) [Print](#) [Email](#)



172169-1

TE Internal Number: 172169-1

Active

[View 3D PDF](#)

.163" Centerline, 600 V, 9.5 A max.

Always EU RoHS/ELV Compliant (Statement of Compliance)

Product Highlights:

- Mini-Universal MATE-N-LOK Product Line
- Wire-to-Wire
- Applies To Wire/Cable
- Connector
- Glow Wire Rating = Standard Part - Not Glow Wire

[View all Features](#)

Quick Links

- ▶ [Pricing & Availability](#)
- ▶ [Search for Tooling](#)
- ▶ [View Mating Products \(9\)](#)
- ▶ [View Contacts \(85\)](#)
- ▶ [Product Feature Selector](#)
- ▶ [Contact Us About This Product](#)

[Add to My Part List](#) [Request Sample](#) [Find Similar Products](#) [Buy Product](#)

Documentation & Additional Information	
<p>Product Drawings:</p> <ul style="list-style-type: none"> • 9Pos MINI UNIVERSAL MATE-N-LOCK CONN. PLUG HOUSING (... (PDF, English) <p>Catalog Pages/Data Sheets:</p> <ul style="list-style-type: none"> • 1-1773458-0_MINI_UNIVERSAL_MATE_N_LOK_CONNECTOR_SYST... (PDF, English) • SOFT_SHELL_PIN_AND_SOCKET_CONNECTORS_CATALOG (PDF, English) <p>Product Specifications:</p> <ul style="list-style-type: none"> • Mini-Universal MATE-N-LOK Connector(UL 94V-0 Grade) (PDF, English) <p>Application Specifications:</p> <ul style="list-style-type: none"> • Mini-Universal MATE-N-LOK Connectors (PDF, English) <p>Instruction Sheets:</p> <ul style="list-style-type: none"> • Mini-Universal MATE-N-LOK Connector (PDF, Japanese) <p>CAD Files: (CAD Format & Compression Information)</p> <ul style="list-style-type: none"> • 2D Drawing (DXF, Version K) • 3D Model (IGES, Version K) • 3D Model (STEP, Version K) <p style="text-align: right;">List all Documents</p>	<p>Additional Information:</p> <ul style="list-style-type: none"> • Product Line Information <p>Related Products:</p> <ul style="list-style-type: none"> • Tooling • Mating Products (9) • Contacts (85)

Product Features (Please use the Product Drawing for all design activity)	
<p>Product Type Features:</p> <ul style="list-style-type: none"> • Product Line = Mini-Universal MATE-N-LOK • Product Type = Connector • Connector Type = Housing • PCB Mount Retention = Without • Sealed = No • Strain Relief = Without • UL File Number = E28476 • CSA File Number = LR 7189 <p>Mechanical Attachment:</p> <ul style="list-style-type: none"> • Contact Retention = Without • Mating Retention Type = Locking Latch • Panel Mount Retention = Without <p>Electrical Characteristics:</p> <ul style="list-style-type: none"> • Operating Voltage Reference = AC/DC • Operating Voltage (VAC) = 600 • Operating Voltage (VDC) = 600 <p>Body Features:</p> <ul style="list-style-type: none"> • Used With = Mini-Universal MATE-N-LOK Cap Housing/PC Board Pin Headers • Mating Retention = With • Row-to-Row Spacing (mm [in]) = 4.14 [0.163] • Assembly Integration Feature = Without 	<p>Configuration Features:</p> <ul style="list-style-type: none"> • Number of Rows = 3 • Number of Positions = 9 <p>Industry Standards:</p> <ul style="list-style-type: none"> • RoHS/ELV Compliance = RoHS compliant, ELV compliant • Lead Free Solder Processes = Not relevant for lead free process • RoHS/ELV Compliance History = Always was RoHS compliant • VDE Tested = Yes • Agency/Standard = UL, CSA • UL Rating = Recognized • CSA Rating = Certified <p>Environmental:</p> <ul style="list-style-type: none"> • Operating Temperature (°C [°F]) = -20 - +105 [-4 - +221] <p>Conditions for Usage:</p> <ul style="list-style-type: none"> • Applies To = Wire/Cable • Glow Wire Rating = Standard Part - Not Glow Wire <p>Operation/Application:</p> <ul style="list-style-type: none"> • Application Use = Wire-to-Wire <p>Packaging Features:</p> <ul style="list-style-type: none"> • Packaging Method = Bag • Packaging Quantity = 500

Contact Features:

- Contact Type = Socket
- Contact Layout = Matrix
- Shunts/Shorting Bars = Without
- Multiple Contact Types = Without

Housing Features:

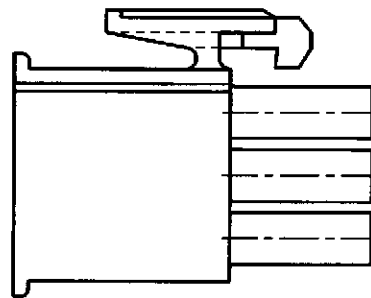
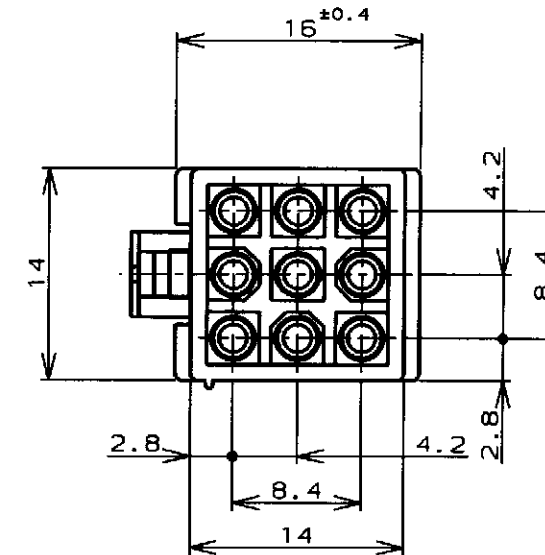
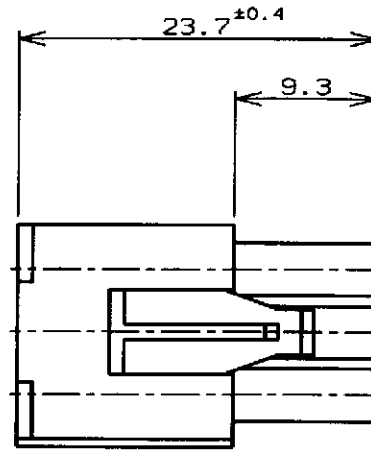
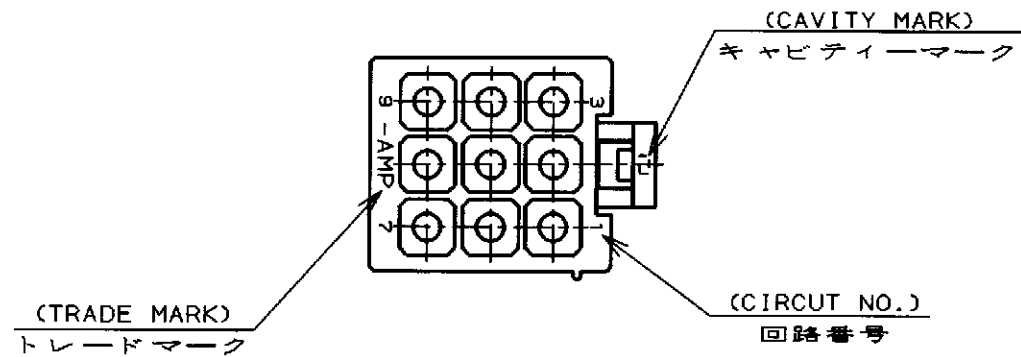
- Connector Style = Plug
- Housing Material = Nylon 66/6
- Housing Color = Natural
- Mating Alignment = With
- Mating Alignment Type = Chamfered Edges
- Centerline (mm [in]) = 4.14 [0.163]
- UL Flammability Rating = UL 94V-0

Other:

- Brand = AMP

Corporate Information[About TE](#)[Investors](#)[News Room](#)[Supplier Portal](#)[Careers](#)[Terms & Conditions](#)[Privacy Policy](#)**Quick Links**[Distributor Inventory](#)[Product Cross Reference](#)[Documents & Drawings](#)[Product Compliance Support Center](#)[Site Map](#)**Customer Support**[Email or Chat With Us](#)[Find a Phone Number](#)[Knowledge Base](#)[Manage Your Account](#)**Keep Me Informed**

P	LTR	DESCRIPTION	DATE	DWN	APVD
	D2	REVISED PER ECO-11-005140	01APR11	RK	HMR



注記;

1. 使用端子型番は170359, 170360, 170361, 170362
2. 嵌合相手ハウジング型番は172161

NOTE;

1. APPLICABLE CONT P/N: 170359, 170360, 170361, 170362
2. MATING HSG P/N: 172161

3 OBSOLETE PARTS: OBSOLETE CIS STREAMLINING PER D.RENAUD/D.SINISI

3 OBSOLETE

黒 (BLACK)	1-172169-9
青 (BLUE)	1-172169-6
緑 (GREEN)	1-172169-5
赤 (RED)	1-172169-2
自然色 (NATURAL)	172169-1
色 (COLOR)	型番 (P/N)
WIRE RANGE 包含電線断面積	INSULATION DIA 被覆外径

DIMENSIONS: 単位: 英 mm 		TOLERANCES UNLESS OTHERWISE SPECIFIED 一般公差 (GENERAL TOLERANCE) ±0.3		DWN M. Yamazaki 2 Jun '98 CHK M. Spink 15 Jun '98 APVD M. Spink 15 Jun '98		STE TE Connectivity	
MATERIAL 材料 66ナイロン UL94V-0 (66NYLON UL94V-0)		FINISH 仕上		PRODUCT SPEC 製品規格 108-5138 INSTRUCTION SHEET 取り扱い説明書 IS-105J WEIGHT		NAME 名称 9極ミニユニバーサルメイトンロックプラグハウジング (UL94V-0) 9Pos MINI UNIVERSAL MATE-N-LOCK CONN.PLUG HOUSING (UL94V-0)	
CUSTOMER DRAWING				SIZE A3		CAGE CODE 00779	
				DRAWING NO 番号 172169		RESTRICTED TO	
				SCALE 尺度 2-1		SHEET 1 OF 1	
				REV D2			