



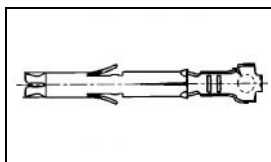
**Have a Question?**  
 Chat with a Product  
 Information Specialist

What can we help you find?

[Products](#) | 
 [Industries](#) | 
 [Resources](#) | 
 [About TE](#) | 
 [My Account](#) | 
 [Innovation](#) | 
 [Support Center](#)

## 170365-1 Product Details

[Share](#) | 
 [Print](#) | 
 [Email](#)



**170365-1**

TE Internal Number: 170365-1

Active

**.163" Centerline, 600 V, 9.5 A max.**

Always EU RoHS/ELV Compliant (Statement of Compliance)

**Product Highlights:**

- Mini-Universal MATE-N-LOK Product Line
- Wire-to-Wire
- Applies To Wire/Cable
- Contact
- Glow Wire Rating = Standard Part - Not Glow Wire

[View all Features](#)

**Quick Links**

- ▶ [Pricing & Availability](#)
- ▶ [Search for Tooling](#)
- ▶ [View Housings \(122\)](#)
- ▶ [Product Feature Selector](#)
- ▶ [Contact Us About This Product](#)

[Add to My Part List](#) | 
 [Request Sample](#) | 
 [Find Similar Products](#) | 
 [Buy Product](#)

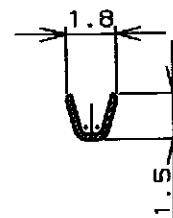
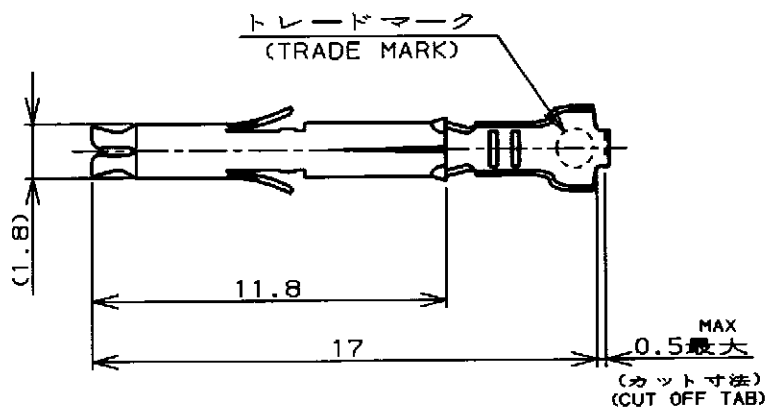
Documentation & Additional Information	
<p><b>Product Drawings:</b></p> <ul style="list-style-type: none"> <li>• <a href="#">MINI UNIVERSAL MATE-N-LOK SOCKET CONTACT LOOSE PIECE (PDF, English)</a></li> </ul> <p><b>Catalog Pages/Data Sheets:</b></p> <ul style="list-style-type: none"> <li>• None Available</li> </ul> <p><b>Product Specifications:</b></p> <ul style="list-style-type: none"> <li>• <a href="#">Mini-Universal MATE-N-LOK Connector(UL 94V-0 Grade) (PDF, English)</a></li> <li>• <a href="#">Mini-Universal MATE-N-LOK Connector(UL 94V-2) (PDF, English)</a></li> </ul> <p><b>Application Specifications:</b></p> <ul style="list-style-type: none"> <li>• <a href="#">Crimping of Mini-Universal MATE-N-LOK Contact (PDF, Japanese)</a></li> </ul> <p><b>Instruction Sheets:</b></p> <ul style="list-style-type: none"> <li>• None Available</li> </ul> <p><b>CAD Files:</b></p> <ul style="list-style-type: none"> <li>• None Available</li> </ul>	<p><b>Additional Information:</b></p> <ul style="list-style-type: none"> <li>• <a href="#">Product Line Information</a></li> </ul> <p><b>Related Products:</b></p> <ul style="list-style-type: none"> <li>• <a href="#">Tooling</a></li> <li>• <a href="#">Housings (122)</a></li> </ul>
<p><a href="#">List all Documents</a></p>	

Product Features (Please use the Product Drawing for all design activity)	
<p><b>Product Type Features:</b></p> <ul style="list-style-type: none"> <li>• Product Line = Mini-Universal MATE-N-LOK</li> <li>• Product Type = Contact</li> <li>• Termination Method to Wire/Cable = Crimp</li> <li>• PCB Mount Retention = Without</li> <li>• Sealed = No</li> <li>• Wire/Cable Type = Discrete Wire</li> <li>• Strain Relief = Without</li> <li>• UL File Number = E28476</li> <li>• CSA File Number = LR 7189</li> </ul> <p><b>Mechanical Attachment:</b></p> <ul style="list-style-type: none"> <li>• Contact Retention = With</li> <li>• Panel Mount Retention = Without</li> </ul> <p><b>Electrical Characteristics:</b></p> <ul style="list-style-type: none"> <li>• Contact - Rated Current (A) = 7</li> <li>• Operating Voltage Reference = AC/DC</li> <li>• Operating Voltage (VAC) = 600</li> <li>• Operating Voltage (VDC) = 600</li> </ul> <p><b>Termination Features:</b></p> <ul style="list-style-type: none"> <li>• Wire/Cable Size (mm<sup>2</sup>) = 0.12 - 0.35</li> <li>• Wire/Cable Size (AWG) = 22 - 26</li> </ul> <p><b>Body Features:</b></p> <ul style="list-style-type: none"> <li>• Used With = Plug Housing</li> <li>• Mating Retention = Without</li> <li>• Wire Type = Stranded</li> <li>• Assembly Integration Feature = Without</li> <li>• Contact Protection Type = Lance</li> </ul>	<p><b>Housing Features:</b></p> <ul style="list-style-type: none"> <li>• Mating Alignment = Without</li> </ul> <p><b>Industry Standards:</b></p> <ul style="list-style-type: none"> <li>• <a href="#">RoHS/ELV Compliance</a> = RoHS compliant, ELV compliant</li> <li>• <a href="#">Lead Free Solder Processes</a> = Not relevant for lead free process</li> <li>• RoHS/ELV Compliance History = Always was RoHS compliant</li> <li>• VDE Tested = Yes</li> <li>• Agency/Standard = CSA, UL</li> <li>• UL Rating = Recognized</li> <li>• CSA Rating = Certified</li> </ul> <p><b>Environmental:</b></p> <ul style="list-style-type: none"> <li>• Operating Temperature (°C [°F]) = -20 - +105 [-4 - +221]</li> </ul> <p><b>Conditions for Usage:</b></p> <ul style="list-style-type: none"> <li>• Applies To = Wire/Cable</li> <li>• Glow Wire Rating = Standard Part - Not Glow Wire</li> <li>• Accepts Wire Insulation Diameter, Range (mm [in]) = 1.20 - 1.75 [0.047 - 0.069]</li> </ul> <p><b>Operation/Application:</b></p> <ul style="list-style-type: none"> <li>• Application Use = Wire-to-Wire</li> </ul> <p><b>Packaging Features:</b></p> <ul style="list-style-type: none"> <li>• Packaging Method = Bag</li> <li>• Packaging Quantity = 300</li> </ul> <p><b>Other:</b></p> <ul style="list-style-type: none"> <li>• Brand = AMP</li> </ul>

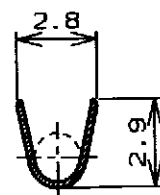
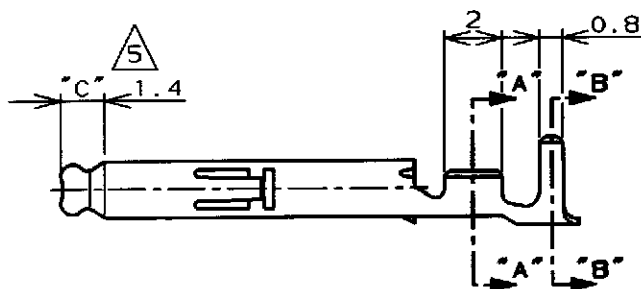
**Contact Features:**

- Contact Type = Socket
- Contact Diameter (mm [in]) = 1.80 [0.071]
- Contact Base Material = Brass
- Contact Plating, Mating Area, Material = Pre-Tin
- Shunts/Shorting Bars = Without
- Multiple Contact Types = Without

LOC	DIST	REVISIONS			DATE	DWN	APVD
J		P	LTR	DESCRIPTION	ECO		
			B1	REVISIED PER ECO-11-005294	5APR11	RK	HMR



断面 "A"- "A"  
(SECT.)



断面 "B"- "B"  
(SECT.)

注記;

1. 使用ハウジングはキャップ及びプラグ
- △ 製品規格 108-5138
- △ 取付適用規格 114-5050
4. 取扱い説明書 IS-105J
- △ 全面ニッケルめっき上の領域 "C" に 0.76µm 最小の金めっきを施す。

NOTES;

1. APPLICABLE HOUSING : CAP AND PLUG.
- △ PRODUCT SPECIFICATION 108-5138
- △ APPLICATION SPECIFICATION 114-5050
4. INSTRUCTION SHEET IS-105J
- △ SELECTIVE GOLD PLATED AREA "C" 0.76µm MIN THK OVER Ni PLATED.

	錫めっき付・燐青銅 (PRE-TIN PHOZ BRO)	-4	-4
	金めっき・黄銅 △5 (GOLD PLATE · BRASS)	-3	-3
170359, 170360 170363, 170364	錫めっき付・黄銅 (PRE-TIN BRASS)	170361-1	170365-1
嵌合相手型番 (MATING P/N)	材料・仕上 (MATERIAL · FINISH)	連鎖状端子型番 (STRIP P/N)	型番 (P/N)

WIRE RANGE 包合電線断面積 0.12~0.35mm <sup>2</sup> (AWG #26~#22)	INSULATION DIA 被覆外径 1.2~1.75mm
---	--------------------------------------

DIMENSIONS 単位 概 mm	DWN 7. ymanoto 11 JUN 98
TOLERANCES UNLESS OTHERWISE SPECIFIED: 一般公差 ±0.4, ±1°0'	CHK M. Slid 15 JUN 98
PRODUCT SPEC 製品規格 注記参照 △2 (SEE NOTES)	APVD M. Slid 15 JUN 98
APPLICATION SPEC 取付適用規格 注記参照 △3 (SEE NOTES)	
WEIGHT	
CUSTOMER DRAWING	

MATERIAL 表参照 材料 (SEE TABLE) 0.2t	FINISH 表参照 仕上 (SEE TABLE)
<b>TE</b> TE Connectivity	
NAME ミニユニバーサルメイトンロックソケットコンタクトばら状端子 MINI UNIVERSAL MATE-N-LOK SOCKET CONTACT LOOSE PIECE	
SIZE A4	CAGE CODE 00779
DRAWING NO 番号 C-170365	
SCALE 尺度	SHEET 1 OF 1 REV B1

THIS DRAWING IS UNPUBLISHED.

BY

COPYRIGHT